

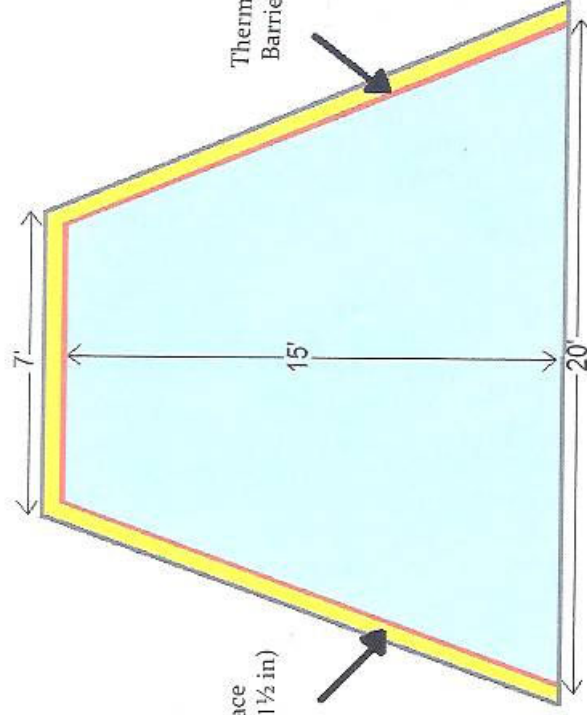
Frantl Industries Inc.

Base Cone Insulation - Elevated Storage Tank

Sprayed-In-Place Urethane

With Sprayed-In-Place Insulation you will see payback in a few short years. Urethane sprayed-in-place has the Highest R value rating and conforms to any surface. The application is fast and is not labor intensive.

Sprayed-in-place Urethane Foam (1½ in)



Thermal Barriers Options

- 1) Thermal barrier with URE-K
 - + Adds insulation value
 - + Acoustical qualities
 - Soft surface
 - Not water resistant
- 2) DC-315 at 12 mils dry.
 - Intumescent coating
 - + Hard surface
 - + Easy to clean
 - No insulation value
- 3) WR Grace Z-3306 at 3/4in
 - Cementitious coating
 - + Durable
 - + Hard Surface
 - + Water resistant
 - No insulation Value
 - Labor intensive

At 674sqft with a 60° temperature difference, the BTU heat loss is approximately 5 BTU/hr per sqft. Without Sprayed-In-Place Urethane Foam the BTU loss is approximately 485,280 per day. With the 1.5 in Spray-In-Place Urethane Foam the BTU loss drops to approximately 80,880, saving energy and money.